

AMMS

An
ATLANTIS GROUP
Company



Fuze M0726A1 40mm dual purpose Infantry Grenade HV Ammunition (Incorporating standard detonics)



Manufactured under
License from

JUNGHANS Microtec
GmbH

FUZE DM 431

M0726A1 Technical Data:

- Muzzle safety: ≥ 18 m
- Required setback for arming: $\geq 22,500$ g
- Required rotation for arming: $\geq 6,000$ rpm
- Storage temperature range: -54°C to $+71^{\circ}\text{C}$
- Operational temperature range: -46°C to $+63^{\circ}\text{C}$
- Guaranteed shelf life: 10 years.
- Self destruct: inclusion for battlefield and peacekeeping operations safety.
- Angular sensitivity: 70° NATO

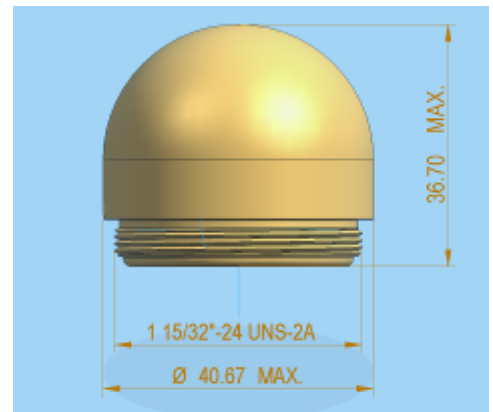
Fuze complies to

- MIL-STD 331B
- MIL-STD 810E
- STANAG 4403

Weapon Suitability

- H& K GMG
- SAKO MK 19
- VEKTOR AGL

- The M0726A1 is a mechanical fuze with a pyrotechnical self destruction device based on the DM441Fuze.
- The M0726A1 is usable on both high explosive and dual purpose High Explosive /Armour penetrating rounds.
- The fuze will function against 2 mm aluminum plate at 40 meters and with operation angles between 0 to 70 degrees on a 3 mm aluminum plate at 100 meters.
- Self destruction function optimised for maximum combat range and UXO battlefield safety of own troops and civilians.
- Meets United Nations CCW Protocol V requirements.
- The Fuze can be supplied to ammunition manufacturers for own installation. Fuzes are airfreightable as UN Class 1.4S
- Production is ISO 9001.2000 accredited.



Manufactured under License

FUZE DM 431

From
JUNGHANS Microtec Germany

**ATLANTIS MANUFACTURING
MANAGEMENT SERVICES PTY LTD**

TEL : + 27 21 880 20 70
FAX : +2721 880 20 71
info@atlantiscorp.co.za